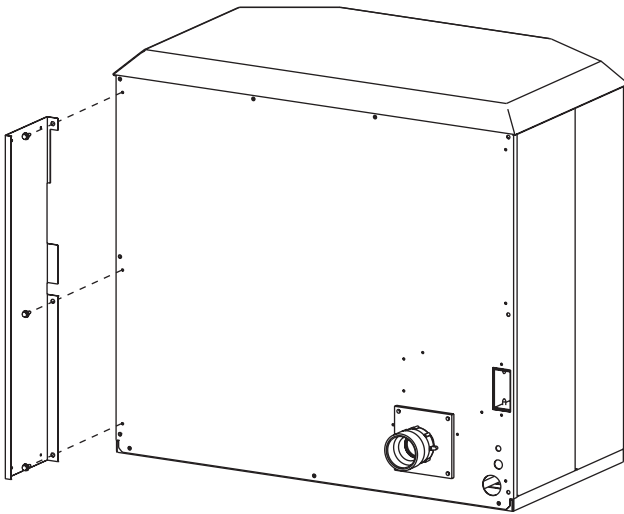


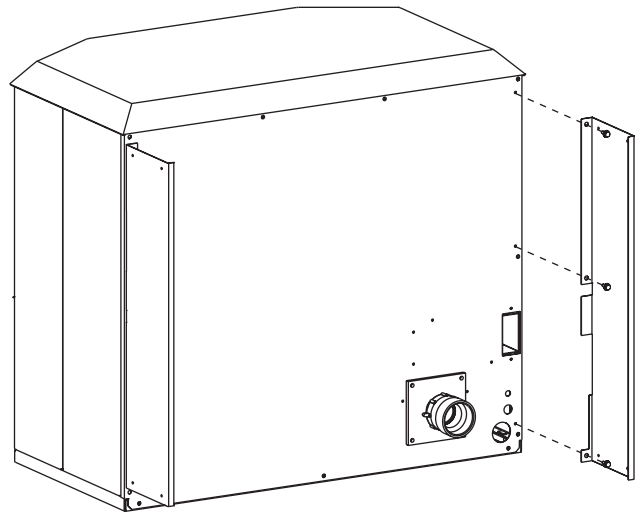
MANTIS HEATER FIREPLACE SHROUD INSTALLATION

EFFECTIVE DATE OCTOBER 2006

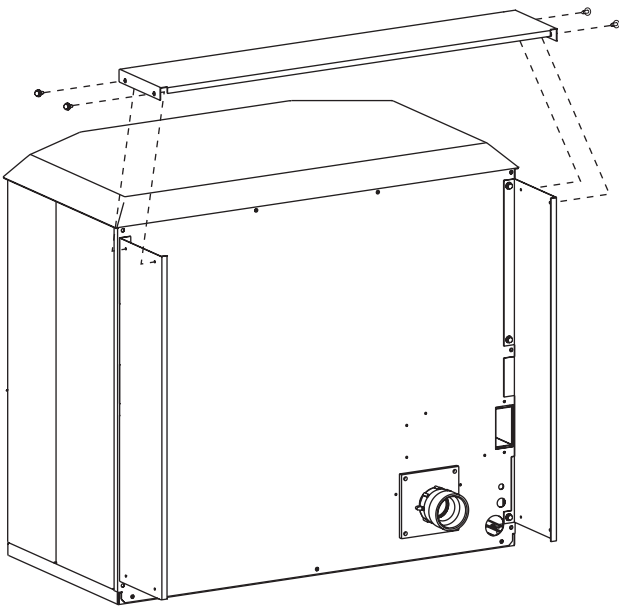
INSTRUCTIONS MUST BE LEFT WITH THE OWNER FOR FUTURE REFERENCE AFTER INSTALLATION



1. Install shroud to rear left with 3 screws.



2. Install shroud to rear right with 3 screws.



3. Install shroud top with 2 screws per side.

PARTS LIST

Part Number	Description	Quantity Supplied
21855	Shroud - Top	1
21856	Shroud - Side	2

Replacement 10 x 1/2" screws can be purchased from a local hardware store.